

macro

Instruction Manual

MA-10FE

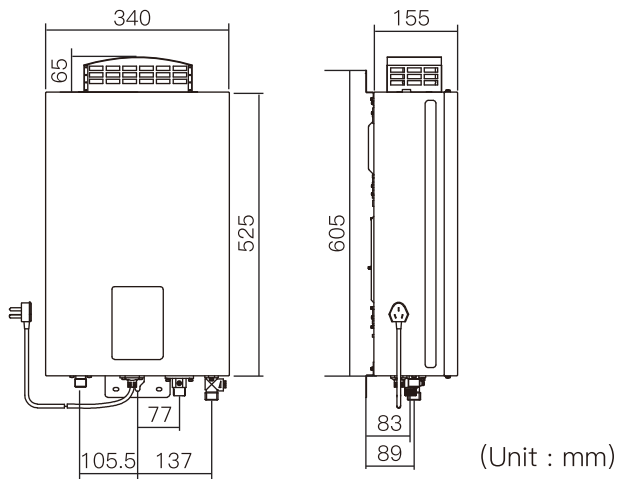
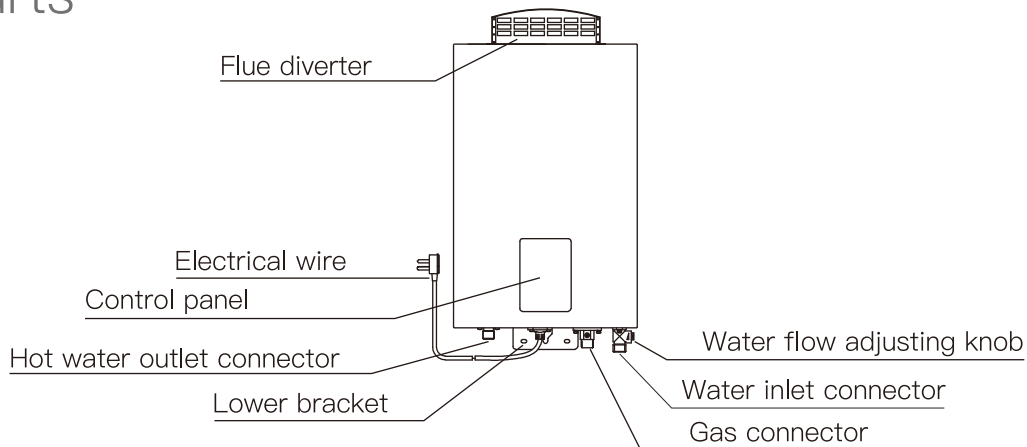
Features

1. Automatic operation
2. Flame extinguish protection
3. Oxygen depletion device
4. Over heat protection
5. Fan failure protection
6. Electrical surge protection
7. Water over pressure protection
8. Flue blockage protection
9. Constant temperature function

Technical Specifications

Model	: MA-10FE
Type of appliance	: Type B
Type of gas	: Town gas(G110)
Gas pressure	: 10mbar – 20mbar
Nominal useful output P _n	: 8.5kW
Nominal heat input Q	: 10kW
Max. Water pressure P _w	: 12bar
Electrical	: 220-240V 50Hz

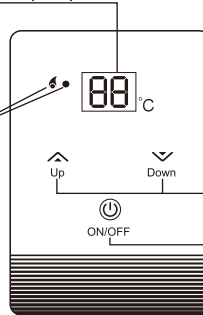
Parts



Name and function of each part of the display window

Water temperature, error code display

Flame indicator



Water temperature adjustment

ON/OFF button

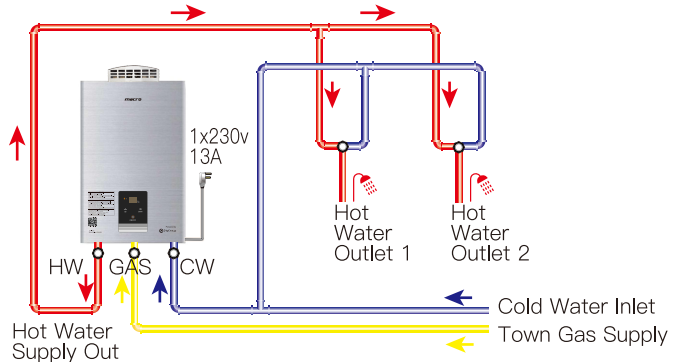
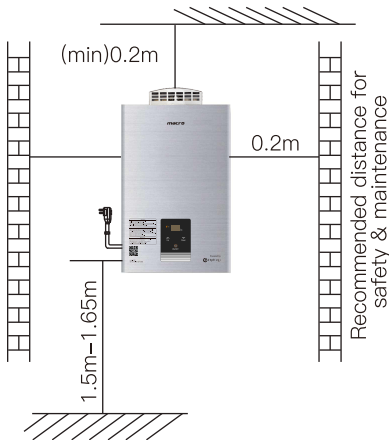
Error Code

Error Code	Fault type	Initial dealing method
E0	Misfire	Ensure the gas valve is turned on, turn off the water tap and then restart the gas heater.
E1	Fail to ignite	Ensure the gas valve is turned on, turn off the water tap and then restart the gas heater.
E2	Fan motor fault	Turn off the water tap and restart the gas heater. If fault still occurs, call the service center.
E3	Dry burn or overheating in the heat exchanger	Turn off the water tap and restart the gas heater.
E4	Temperature sensor fault	Call the service center.
E5	Outlet temperature of hot water is too high	Turn off the water tap and restart the gas heater.
E6	Improper combustion	Turn off the water tap and restart the gas heater.

Installation

Installation of the water heater

1. Fix the upper bracket of the heater with an expansion bolt or a mounting screw, then fix the heater with two mounting screws at the holes of the lower bracket.
2. If the wall for the mounting is of combustible material, insulation of fire resistance material is required between the wall and the heater. The thickness of the insulation should be not less than 10mm.
3. Please ensure sufficient space around the heater. The water inlet and outlet are screw threaded with a diameter of G1/2. Connect the water inlet and outlet accordingly to the marking at the water heater. Connect also the gas pipe as labeled. Stop valve must be fitted at the cold water inlet pipe and the gas inlet pipe. Hot water outlet is then connected to a tap or shower by either a flexible pipe or rigid pipe that can withstand a temperature of minimum 80°C.



Installation on the Electrical

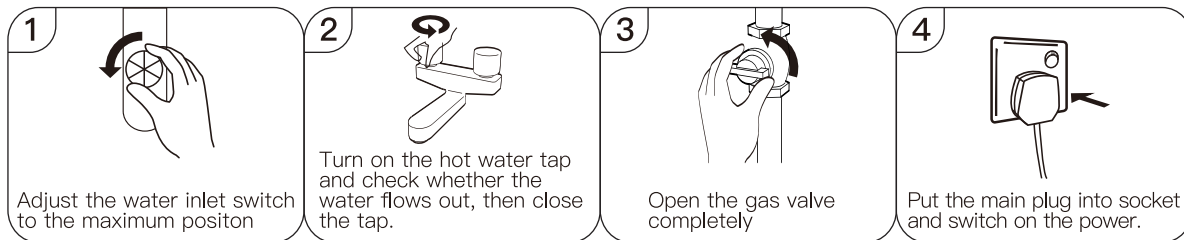
■ Power supply: AC 230V, 50Hz

Plugs and sockets should be installed at a dry location. Do not conduct any operation related to electricity with wet hand. Make sure the socket and the casing of the heater is properly earthed.

Electricity leakage protection devices should also be installed in place.

Make sure the socket for power supply is properly earthed.

Operation



■ Press “ON/OFF” button on the control panel.

- The displayed number shows the temperature which is set before leaving factory or the last set temperature.
- When the heater is faulty, the water heater will stop operating automatically. Error code will display on the panel.

■ Adjust the water temperature

- Press the “ ^ ” key to increase the water temperature, press the “ v ” key to decrease the water temperature. Every time the key is pressed, the temperature will change by 1°C in the range of 36°C – 60°C

■ Using the hot water

- After setting the temperature, turn on the hot water tap, hot water will flow out at the tap or shower point in about 1 minute depending on the hot water pipe length.
- The display screen shows the operation status of the heater when using hot water
- The temperature setting will remain the same as per previous setting next time you turn on the hot water tap.
- Test the water temperature with your hand before using to avoid scalding.

■ Service

- This water heater must be serviced or repaired by a qualified technician.
Call our service hotline at 6214 0055

WARRANTY REGISTRATION



Please scan the QR Code or login to
www.warranty.com.sg
for your warranty registration

Swee Huat Heng Engrg Pte Ltd
Service Hotline : **6214 0055**